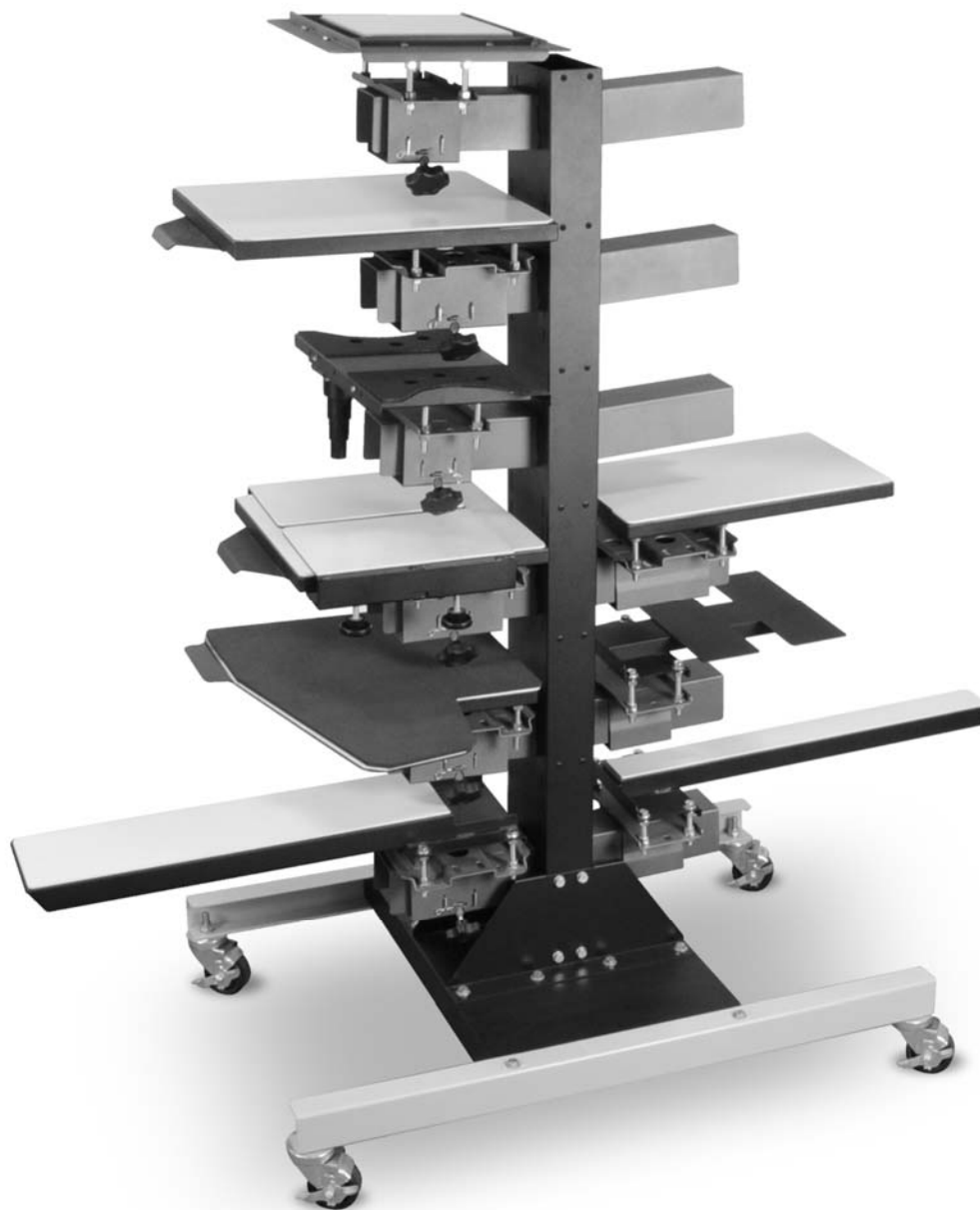


Year of Manufacture: 20_____

Original Instructions

Vastex VP-Cruiser

Assembly Instructions



Vastex International, Inc.
1032 N. Irving St.
Allentown, Pa. 18109 USA
Phone# 610 434-6004 Fax# 610 434-6607
Web Site www.vastex.com

Authorized Representative in Europe:
Certification Experts BV
Nieuwstad 100 1381 CE Weesp,
The Netherlands
Tel : + 31 (0) 294 – 48 33 55
Fax : + 31 (0) 294 – 41 46 87

Vastex E-mail assistance

Purchasing & Product Info:
sales@vastex.com

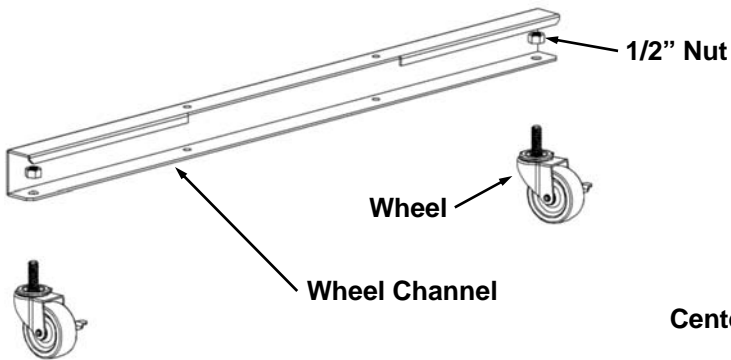
Electrical Support:
stech@vastex.com

Tech Support, Mechanical Setup, and Operation:
techsupport@vastex.com

Screen Printing Issues & Support:
printech@vastex.com

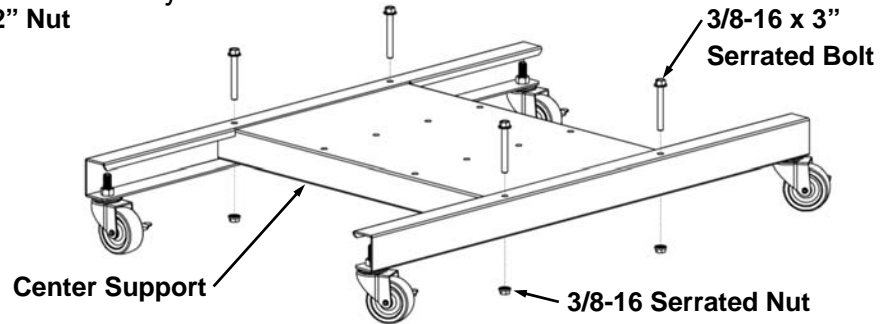
- 1)** Install (2) wheels onto each Wheel Channel using 1/2" Nuts.

Tighten with (2) 3/4" open end wrenches or adjustable wrenches.



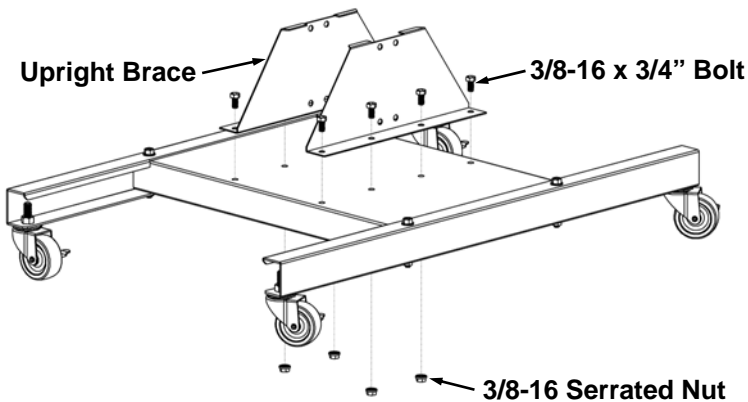
- 2)** Install Wheel Channels onto Center Support using (4) 3/8-16 x 3" Serrated bolts and (4) 3/8-16 Serrated Nuts.

Tighten with (2) 9/16" open end wrenches or adjustable wrenches.



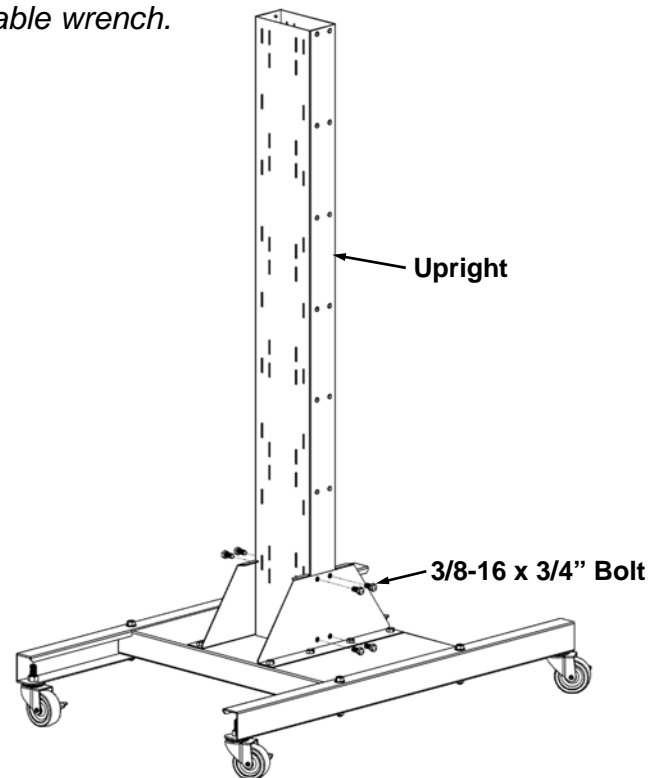
- 3)** Install Upright Braces onto Center Support using (8) 3/8-16 x 3/4" bolts and (8) 3/8-16 Serrated nuts.

Tighten with (2) 9/16" open end wrenches or adjustable wrenches.



- 4)** Install Upright into Upright Braces using (4) 3/8-16 x 3/4" Bolts

Tighten with 9/16" open end wrench or adjustable wrench.



- 5)** Install Pallet Channels onto Upright. Each channel hooks into the upright separately.

V-2000 Pallet Channel Shown Below

